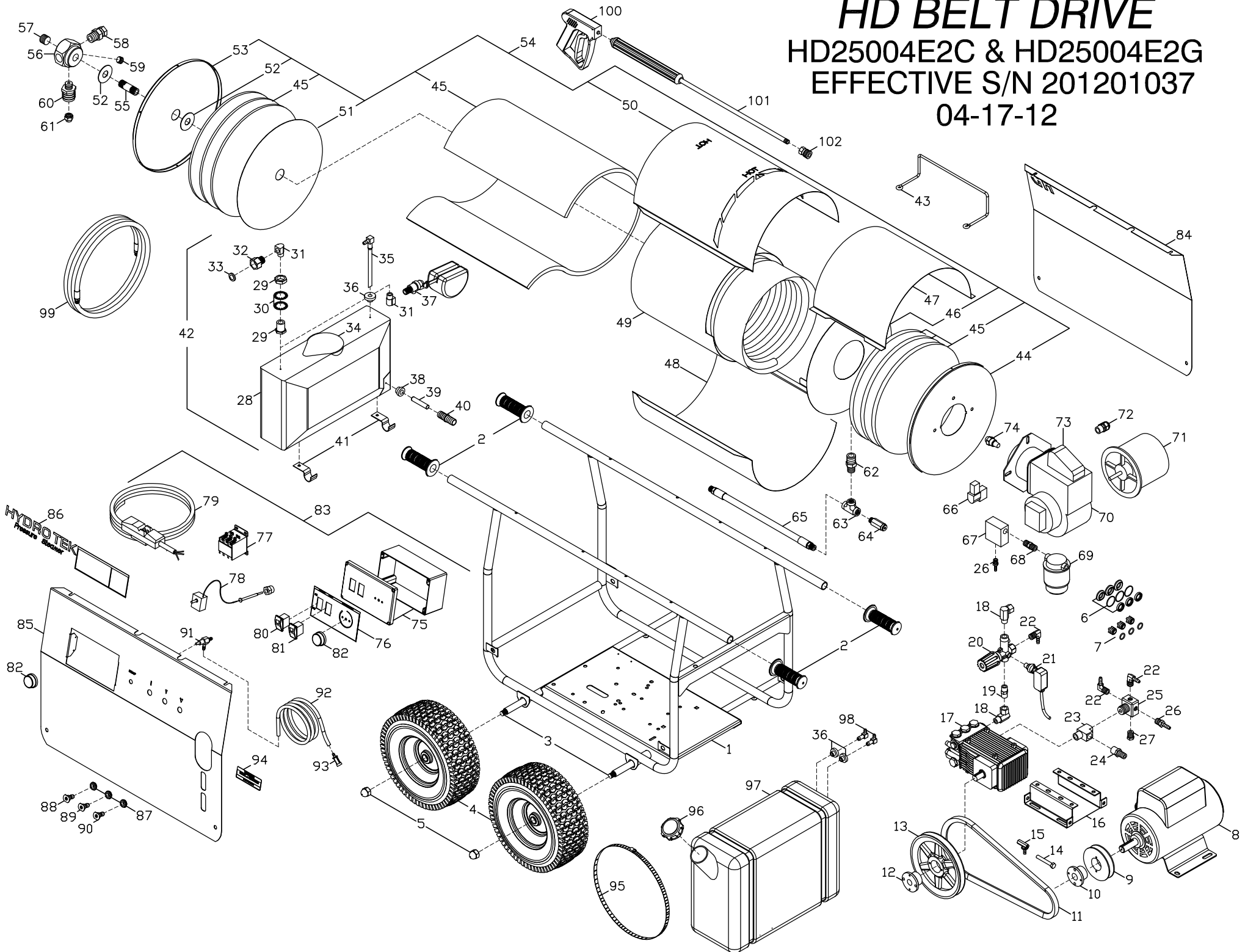


# HD BELT DRIVE

HD25004E2C & HD25004E2G  
EFFECTIVE S/N 201201037  
04-17-12



# HD25004E2C & HD25004E2G (BELT DRIVE) PARTS LIST

S/N201201037

17-Apr-12

1	HHD00	HD FRAME STAINLESS	31	D5566	STREET ELL 3/8" BRASS	68	D2044	NIPPLE 1/4 BRASS
2	HL010	HAND GRIP 1in MX	32	D006M	GARDEN HA 3/8" NPT MALE	69	BF020	FUEL FILTER RAYCOR HYDRO TEK
3	SR625	ROD, THREADED 5/8 ZINCE PLATED	33	D0021	SCREEN WASHER GARDEN HA	70	BU602	BURNER , BECKET AFG 230V
4	HT127	WHEEL&TIRE TURF 13x5.00-6 3/4 BEARING GREY	34	HH400	FLOAT TANK COVER; HINGED			
5	FNA09	NUT ACORN 5/8-11	35	DF599	FUEL TANK ADAPTER W/PLASTIC TUBE	71	BM562	BURNER MOTOR 220V BECKET
6	K161	PACKING KIT; 18MM (HD25004E2G)	36	DFF04	FUEL TANK BUSHING 1/4	72	EWCO8	STRAIN RELIEF 1/2" HEYCO (3/8)
	PP983	SEAL KIT 3CP1120 PUMP (HD25004E2C)	37	VVF08	FLOAT VALVE 3/8" BRASS	73	BMT25	IGNITION TRANSFORMER-IRON CORE 240V BECKET
7	K167	PACKING ASSEMBLY; 18MM (HD25004E2G)	38	DFF10	WATER TANK BUSHING 5/8"	74	BZ200	FUEL NOZZLE 2.00 80B
	PP899	VALVE KIT CAT 3CP1120 (HD25004E2C)	39	VF050	STRAINER TUBE FOR FLOAT TANK	75	HHD52	ELECT BOX HD LASER CUT
8	ME606	MOTOR 6.5 HP230 1PH 3450 MT 3	40	D1010	SPLICER 5/8 BRASS	76	GLL82	LABEL CONTROL HD
9	KT036	SHEAVE BK36H (HD25004E2G)				77	ECC21	CONTACTOR 40AMP 240V 3 POLE DE
	KT047	SHEAVE BK47H (HD25004E2C)	41	HH310	FLOAT TANK HINGE (SSTEEL) ASM	78	ECH50	THERMOSTAT 60-250 1 GP PART=25
10	KSH12	BUSHING H 3/4	42	WT050	FLOAT TANK ASM W/VALVE SPECIFY	79	EP125	GFI CORD 240V 30AMP
			43	HHP29	WIRE HOSE HOOK- ZINC PLATED	80	EC421	ROCKER SWITCH 230V CLEAR
11	KSB38	BELT BX38 (HD25004E2C)	44	B0004	HG COIL HEAD 4" id x 14" ASM			
	KSB32	BELT BX32 (HD25004E2G)	45	BN053	INSUL BLKT 50SQ' 1/2 x 24 6# 25'	81	EC420	ROCKER SWITCH 230V RED
12	KSH19	BUSHING H24 MM (HD25004E2G)	46	BN105	DISC RETAINER 12.25"OD W/4.375" HOLE	82	ECH70	KNOB; BLUE .25 x 1.50OD
	KSH15	BUSHING H x 16.5mm (HD25004E2C)	47	HHD05	HD/SM BURNER RAIN GUARD	83	EHD62	HD PUMP BOX ASSM 6HP 230V 1PH
13	KT080	SHEAVE BK80H (HD25004E2G)	48	B0104	COIL WRAP BOTTOM 14" HG/HD	84	HHD31	HD REAR PANEL
	KT105	SHEAVE BK105H (HD25004E2C)	49	BC224	COIL REPLACEMENT-HD,HG,SM,CPL,HJ SERIES	85	HHD30	HD CONTROL PANEL
14	FB641	BOLT 3/8" x 2.50" PLD ALLTHREAD	50	B0103	COIL WRAP TOP DUAL PASS H	86	GLL75	LABEL HYDRO TEK 34 x 3.00
15	HPR60	PUMP RAIL BOLT				87	HLB09	NOZZEL GROMET HOLDER
16	HPR10	PUMP ANGLE RAIL AR 4000 10GA (HD25004E2G)	51	BN127	DISC RETAINER 13.20" OD W/1.30" HOLE	88	NQ452	NOZZEL/QDC 045 x 15
	HHD03	HD PUMP SUPPORT RAIL 14GA SS (HD25004E2C)	52	FW225	WASHER 2.25in OD 16GA STAINLESS STEEL	89	NQ454	NOZZEL/QDC 045 x 40
17	PG350	PUMP 3.5 @2500 24MM SHAFT (HD25004E2G)	53	B0003	HG COIL CAP 1 3/8" x 14.00"	90	NQ353	NOZZEL/QDC 035 x 25
	P4022	PUMP 3CP1120 4@2200 SHAFT 16 (HD25004E2C)	54	BC221	COIL ASM 1PK SCH 80 HG SERIES			
18	DE866	SWIVEL 3/8"F x 3/8"M 90	55	BC830	BURNER NIPPLE 1/2" x 3.00" SCH 80 BLK PIPE	91	VVC10	CHEMICAL MET VALVE MV-100 MOD
19	DB506	NIPPLE 3/8" STEEL	56	HHA01	HEX MANI OUTLET 1/2 x 1/2 x REEL	92	DHB04	TUBING; CLEAR BRAIDED 1/4
20	UU260	UNLOADER, ST261 NO SWITCH	57	D1082	PLUG 1/2", STEEL HEX HEAD FLUSH	93	VF045	STRAINER CHEMICAL w/CHECK
			58	DE568	SWIVEL 23/8"F x 1/2"M STEEL	94	GLL20	LABEL DIESEL FUEL ONLY
21	VS030	PRESSURE SWITCH 4000 PA/PR16	59	D1061	PLUG 3/8 STEEL HEX HEAD FLUSH	95	FC074	WORM GEAR CLAMP 2 1/2 x 13 1/4
22	D8040	HOSE BARB 1/4" 90 ELBOW	60	UPB05	ADAPTER FITTING-BURST DISC	96	WT080	FUEL CAP, DIESEL
23	D6588	STREET TEE 1/2" BRASS				97	WT075	FUEL TANK 7.5 DIESEL CLEAR
24	D8072	HOSE BARB 5/8H x 1/2M .281id BLUE	61	UPB80	BURST DISC 8000 PSI TORQUE 32-4	98	DFE04	FUEL TANK ELL 1/4
25	HHA05	MINI MAN IFOLD-BRASS	62	DB507	NIPPLE 3/8" x 1/2" STEEL	99	DH050	HOSE 3/8" x 50' 3000 PSI
26	D8044	BARB, HOSE 1/4" BRASS	63	DE066	TEE 3/8" STEEL	100	VG200	TRIGGER,GUN INSULATED 4000 PSI
27	D1040	PLUG 1/4" BRASS	64	UP137	PRESSURE RELIEF 3700 psi BLACK			
28	WT040	TANK, FLOAT 4 GAL HD LINEAR (NO HOLES)	65	DH002	HOSE 3/8" x 14" 5000PSI	101	VW036	WAND 1/4" x 36" MOLDED GRIP
29	D7520	PANEL FITTING 3/4" BRASS	66	BPV20	FUEL VALVE 220V	102	DQ04S	COUPLER 1/4" SOCK FEM
30	FW701	WASHER FLOAT TANK 1.75 OD 14 GA	67	BPA10	FUEL PUMP MOD A2V-7116			